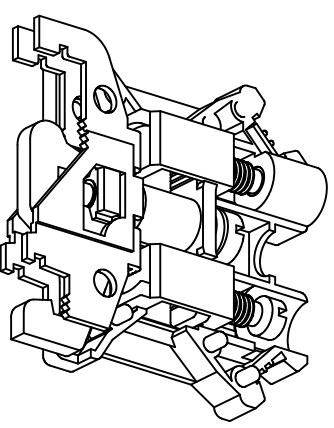
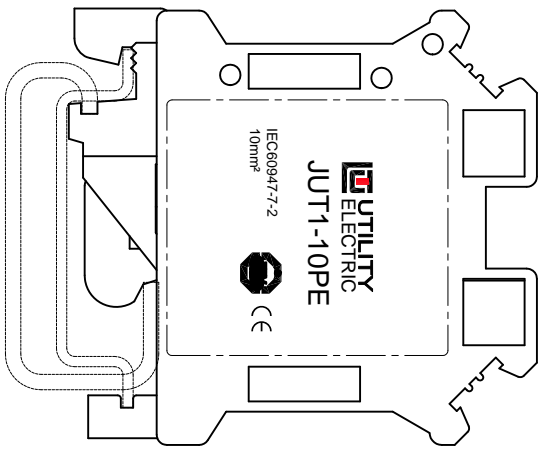
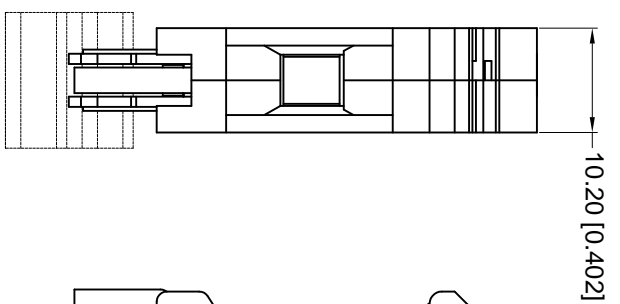
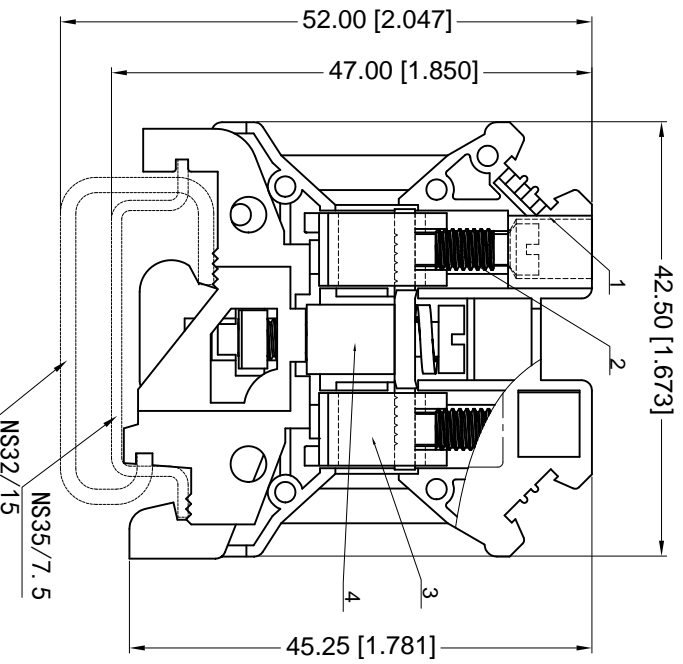


REV.	ECN.NO.	REVISE.NO.	REVISER	APPD.
版次	ECN 编号	处数	修订者	核准
R1	DRAWING			



**Technical Data**

**Material:**

- Body: PA66 UL94 V-0.
- Screw: Brass, Nickel Plated.
- Conductor: Brass, Tin Plated.
- Block: Brass, Nickel Plated.

**Electrical:**

- Current rating: IEC 57A;
- Contact resistance: 20 mΩ Max.

**Mechanical:**

- Torque: 1.6 N.m Max.
- Connection Capacity: 20-6 AWG.
- Stripping Length: 10mm.
- Operating temperature: -45° C to +105° C.



**ZHEJIANG UTILITY ELECTRICAL CO., LTD**  
**浙江尤提乐电气有限公司**

TYPE NO.	JUT1-10PE	TITLE	Customer Drawing
型号:	JUT1-10PE	名称:	Customer Drawing
APPD.		DWG. NO.:	C-DW0170-0
核准:		图号:	
CHKD.		SCALE:	FULL
审核:		比例:	
MAT'L		UNIT:	mm[inch]
材质:		REV.:	R1
		设计:	Jammy. ling
		UNIT:	mm[inch]
		REV.:	R1