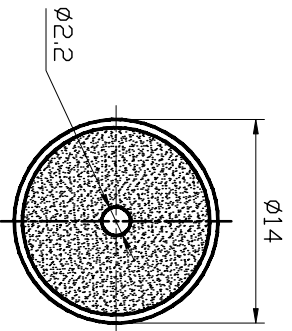
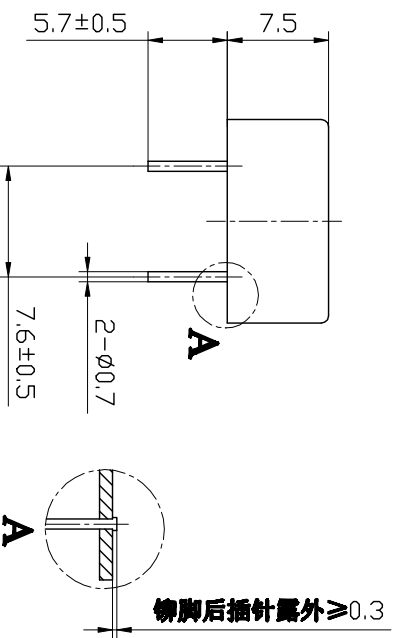


SPECIFICATION

- 1. Rated Voltage12V-p-p Square Wave
- 2. Max Allowable Voltage30V-p-p Square Wave
- 3. Max. Rated Current2mA at 4.0KHz/12V-p-p Square Wave
- 4. Resonant Frequency4.0±0.5KHz
- 5. Min. Sound Pressure Level.....80dB at 4.0KHz/12V-p-p Square Wave/10cm
- 6. Capacitance at 120Hz10000pF±30%
- 7. Case MaterialPBT
- 8. Operating Temperature-20~+80°C
- 9. Store Temperature-30~+100°C
- 10. Weight1g



No.	DESCRIPTION	APPROVED	DATE	Piezo Transducer UNIT: mm DRAWN: eFl.020.01.02 NOT TO SCALE SCALE: VER: 1.0		
DESIGNER	APPROVALS	DATE				
CHECKED						
APPROVED						