

Product Feature :

- 1.5050 SMD LED as light source,super luminous flux,large viewing angle,even lighting,low attenuation.
- 2.Best cost performance,high color consence.
- 3.Energy saving,environment-friendly,long life span50,000hrs.
- 4.Suitable for channel letters and light boxes backlighting etc.



Specification

LED Type	5050 SMD LED
Available Color	R/G/B/Y/W
Angle($2\theta_{1/2}$)	$\geq 140^\circ$

Luminous Flux (lm)

Red Light	Green Light	Blue Light	Yello Light	White Light	White Cold
10	24	10	10	34	34

Wavelength Scope (nm or K)

Red Light	Green Light	Blue Light	Yello Light	White Light	White Cold
619~635	512~528	463~475	584~595	6000-6500	9000-11000

LED Qty	2PCS
Life Span	50,000H

Electrical Parameter

Working Voltage	DC12V
Power	0.48W
Driving Method	constant voltage

Wires & Series Connection Length

Wires	75mm long 20AWG gray and white wires,gray:positive,white:negative
Stand Length In Serial Connection	20PCS
Maximum Length In Serial Connector	≤ 20 pcs

Outer Parameter

Shell	ABS
Dimension	48*15mm
Color	Milk yellow

Fixed mode

Screw	$\varnothing 2.6$ ---- $\varnothing 3.0$
Double-sided adhesive	40mm,double-sided adhesive

Environment Parameter

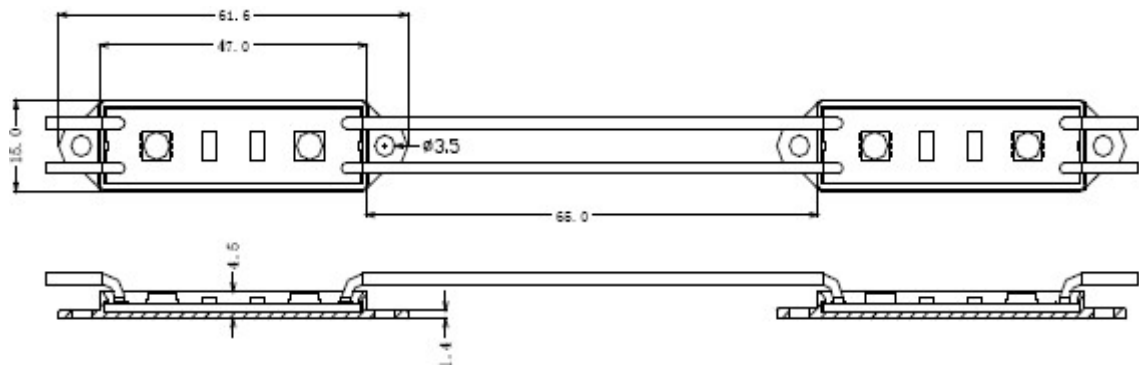
Working Temperature	-40 ——60
Store Temperature	-50 ——80
IP Degree	IP65

Dimension (Unit : mm) :

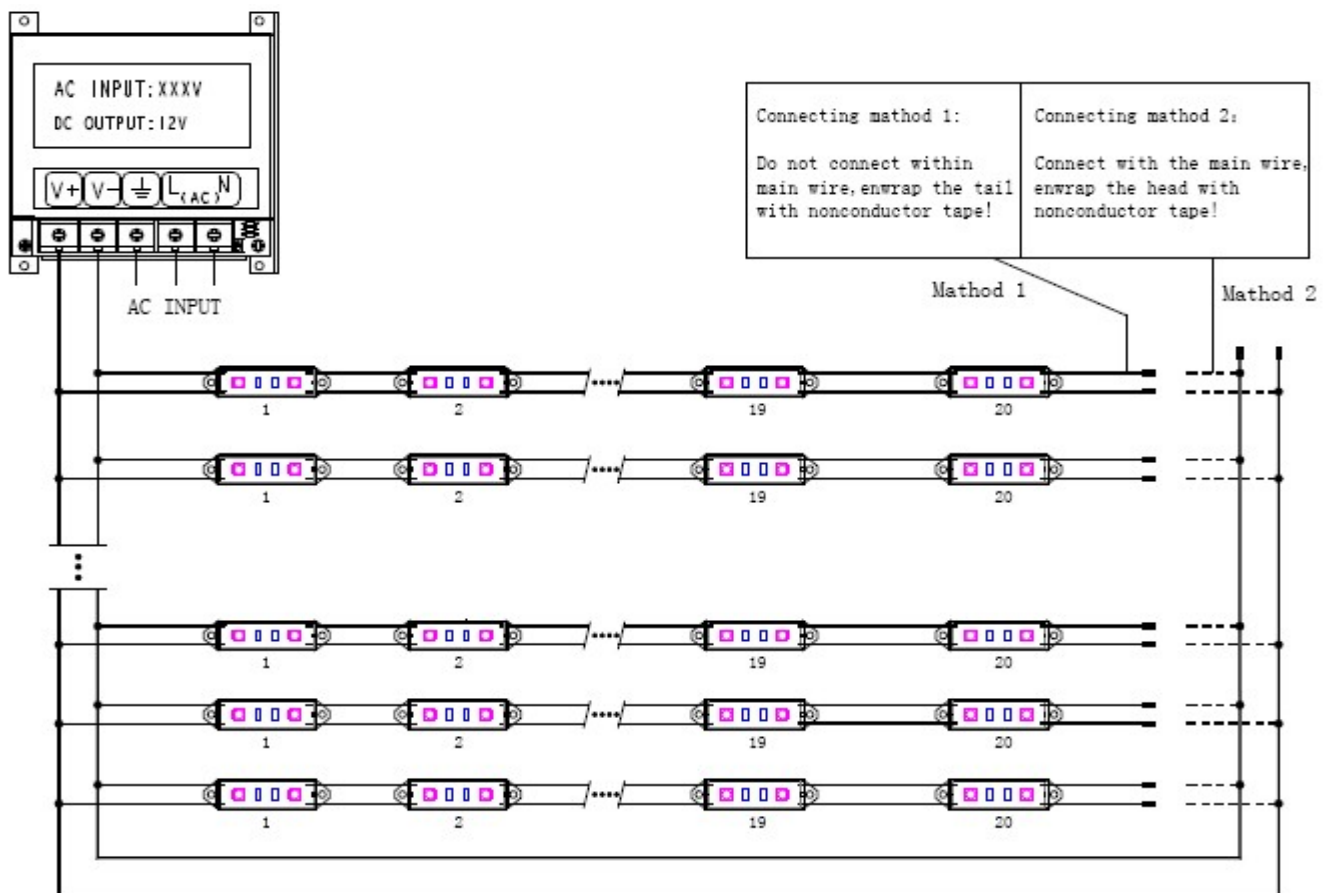
CE

RoHS





Connection Diagram (Unit: mm) : parallel connection for modules more than 20pcs a chain

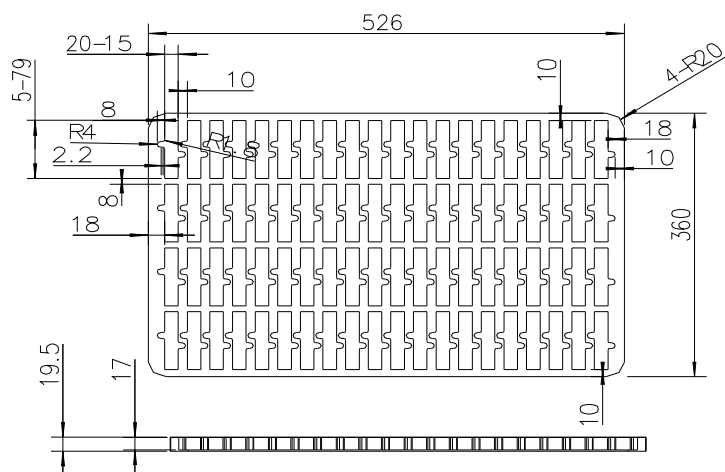


Notes:

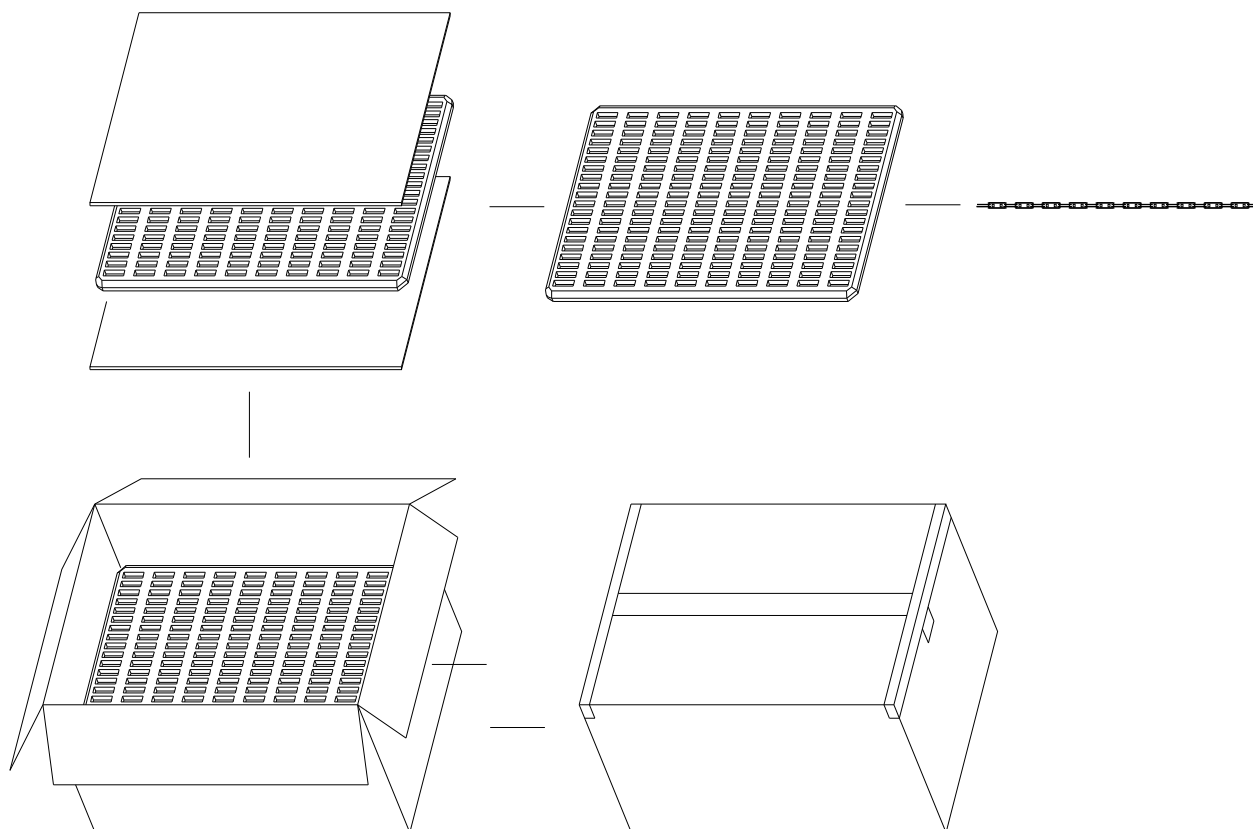
1. 20# cable are recommend for the chain of modules, it may cause brightness difference in the beginning and the end if cable length more than advised.
2. The both ends of extension shall be dealt with as waterproof;
3. Don't work under the situations of touching in static-electronics environments or light on
4. The modules can be connected to 20 pcs at maximum in series; Parallel connection for more than 20pcs are strongly recommend

5.High-quality LED power transformer are strongly recommend(with steady output).

Inner Package Dimension(Unit: mm) :



Outer Package Dimension (Unit: mm) :



Cautions:

- 1.anti-static package,20pcs a chain,6 chain each bag,200pcs total bag.
- 2.Maximum package:80 bag each box,total 1600pcs
- 3.net weight/pcs (NG) : $8\pm 10\%$ g
- 4.Maximum gross weight/box (WG) : $12.2\pm 15\%$ Kg