

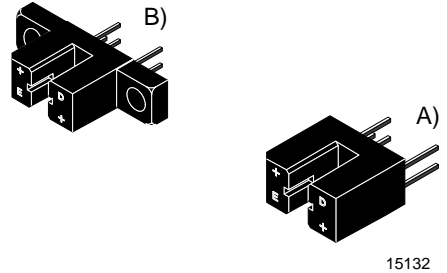
Transmissive Optical Sensor

Description

This device has a compact construction where the emitting-light sources and the detectors are located face to face on the same optical axes. The operating wavelength is 950 nm. The detector consists of a photologic-IC with Schmitt trigger and open collector output.

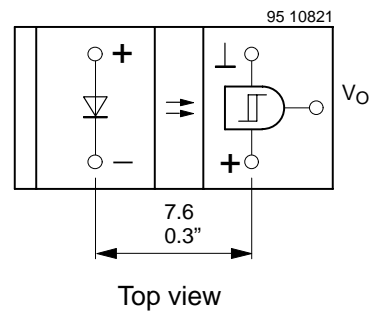
Applications

- Detection of opaque material, documents etc.
- Paper position sensor in copy machines
- Position sensor for shaft encoder



Features

- Output: 'LOW' when infrared beam is not interrupted
- Inverter-open collector
- TTL compatible
- Built-in voltage regulator
- Plastic polycarbonate case, protected against ambient light
- No adjustment necessary
- Two package variations



Handling Precautions

Connect a capacitor C of more than 100 nF between V_{S1} and ground in order to stabilize power supply voltage!

Order Instruction

Ordering Code	Resolution (mm) / Aperture (mm)	Remarks
TCSS1100 ^{A)}	0.6 / 1.0	No mounting flags
TCSS2100 ^{B)}	0.6 / 1.0	With two mounting flags

Absolute Maximum Ratings

Input (Emitter)

Parameter	Test Conditions	Symbol	Value	Unit
Reverse voltage		V_R	6	V
Forward current		I_F	60	mA
Forward surge current	$t_p \leq 10\mu s$	I_{FSM}	3	A
Power dissipation	$T_{amb} \leq 25^\circ C$	P_V	100	mW
Junction temperature		T_j	100	$^\circ C$

Output (Detector)

Parameter	Test Conditions	Symbol	Value	Unit
Supply voltages		V_{S1}	6.5	V
		V_{S2}	18	V
Output current		I_O	20	mA
Power dissipation	$T_{amb} \leq 25^\circ C$	P_V	250	mW
Junction temperature		T_j	100	$^\circ C$

Coupler

Parameter	Test Conditions	Symbol	Value	Unit
Total power dissipation	$T_{amb} \leq 25^\circ C$	P_{tot}	250	mW
Ambient temperature range		T_{amb}	-25 to +85	$^\circ C$
Storage temperature range		T_{stg}	-40 to +100	$^\circ C$
Soldering temperature	2 mm from case, $t \leq 5$ s	T_{sd}	260	$^\circ C$

Electrical Characteristics ($T_{amb} = 25^\circ C$)

Input (Emitter)

Parameter	Test Conditions	Symbol	Min.	Typ.	Max.	Unit
Forward voltage	$I_F = 50$ mA	V_F		1.25	1.6	V
Junction capacitance	$V_R = 0$, $f = 1$ MHz	C_j		50		pF

Output (Detector)

Parameter	Test Conditions	Symbol	Min.	Typ.	Max.	Unit
Supply voltage range		V_{S1}	4.75		5.25	V
		V_{S2}	4.0		16	V

Coupler

Parameter	Test Conditions	Symbol	Min.	Typ.	Max.	Unit
Supply current	$V_{S1} = 16$ V	I_{S1}		3	5	mA
Output current	$V_{S1} = V_{S2} = 16$ V, $I_F = 0$	I_{OH}			1	μA
Input threshold current	$V_{S1} = 5$ V	I_{FT}		5	10	mA
Hysteresis	$V_{S1} = 5$ V	I_{Foff}/I_{Fon}		80		%
Output voltage	$I_{OL} = 16$ mA, $I_F \geq I_{FT}$, $V_{S1} = 5$ V	V_{OL}		0.15	0.4	V
Switching frequency	$I_F = 3 \times I_{FT}$, $V_{S1} = V_{S2} = 5$ V, $R_L = 1$ k Ω	f_{sw}		200		kHz



Switching Characteristics

Parameter	Test Conditions	Symbol	Typ.	Unit
Rise time	$V_{S1} = V_{S2} = 5\text{ V}$, $I_F = 3 \times I_{FT}$, $R_L = 1\text{ k}\Omega$ (see figure 1)	t_r	50.0	ns
Turn-on time		t_{on}	1.0	μs
Fall time		t_f	20.0	ns
Turn-off time		t_{off}	3.0	μs

Typical Characteristics ($T_{amb} = 25^{\circ}\text{C}$, unless otherwise specified)

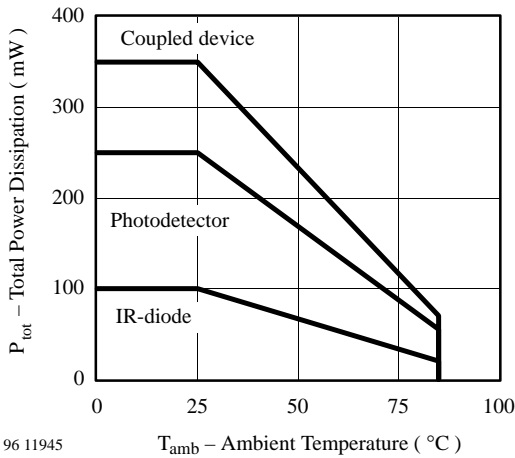


Figure 4. Total Power Dissipation vs. Ambient Temperature

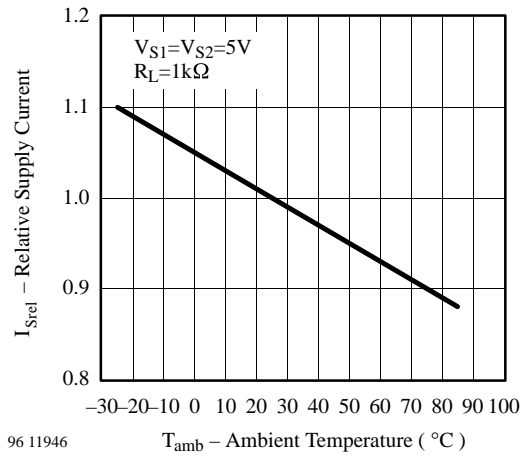


Figure 7. Relative Supply Current vs. Ambient Temperature

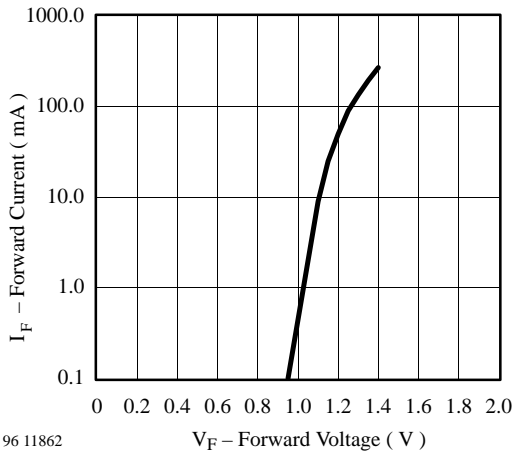


Figure 5. Forward Current vs. Forward Voltage

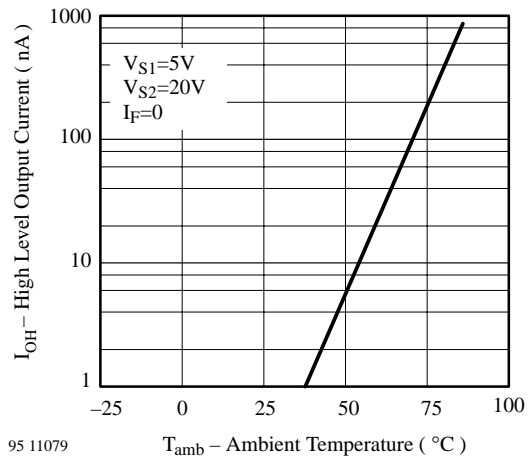


Figure 8. High Level Output Current vs. Ambient Temperature

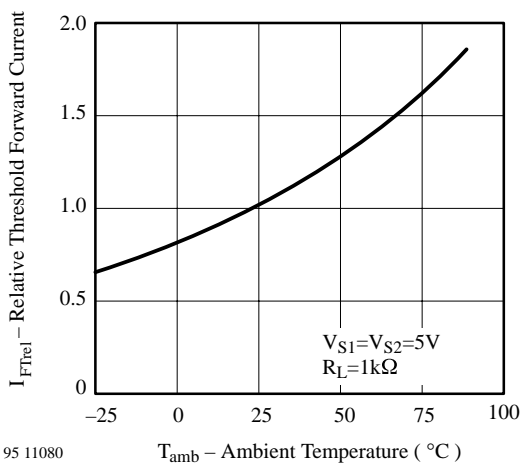
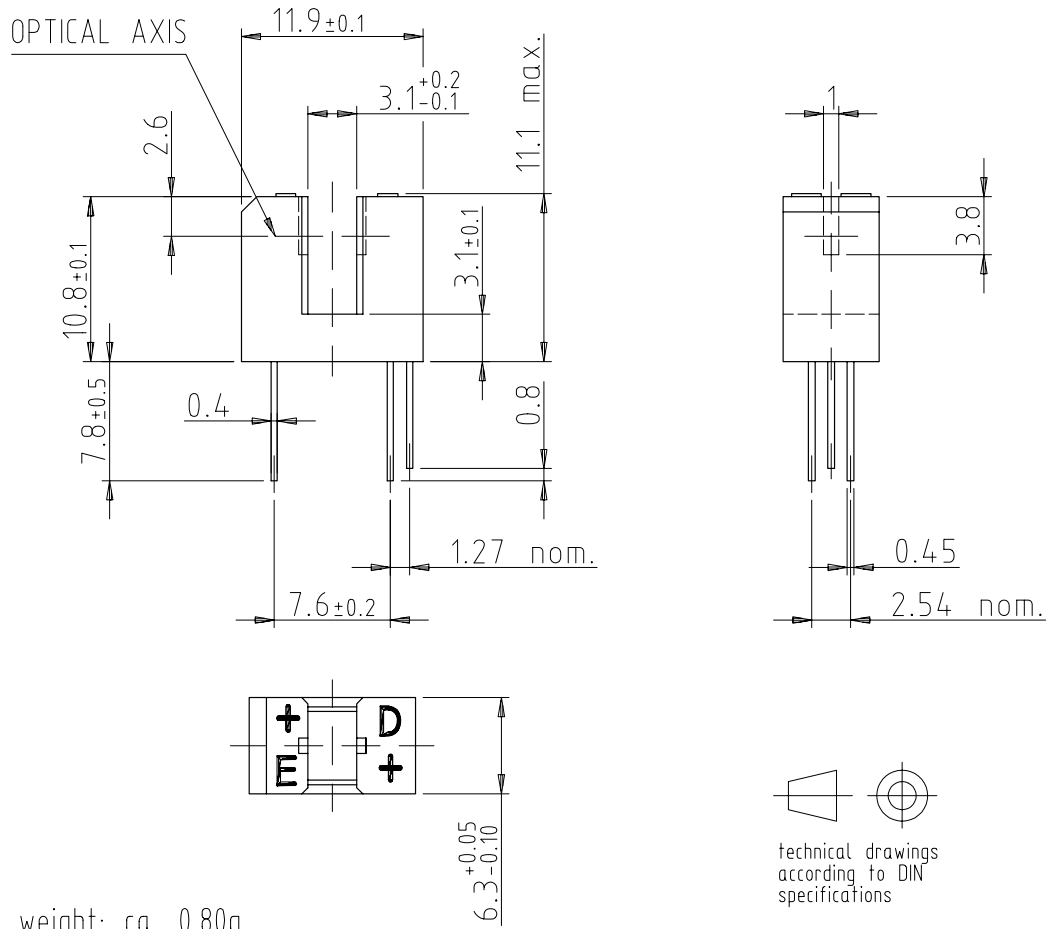


Figure 6. Relative Threshold Forward Current vs. Ambient Temperature

Dimensions of TCSS1100 in mm



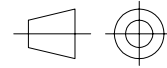
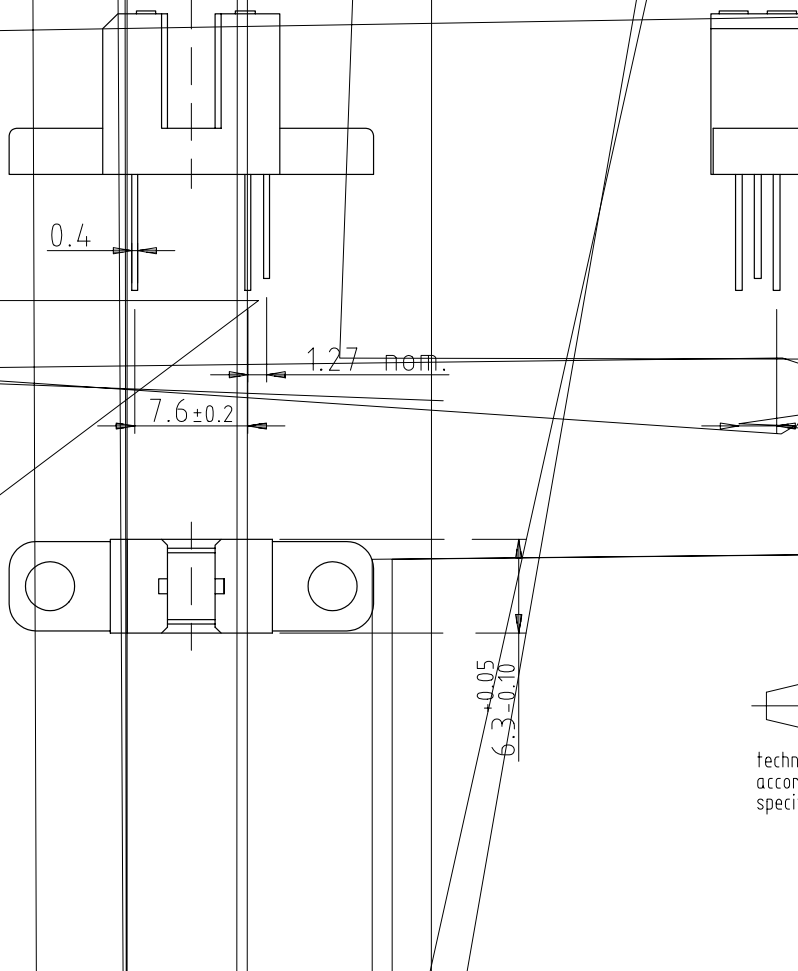
weight: ca. 0.80g

96 12096

TCSS1100/ TCSS2100

Vishay Semiconductors

Dimensions of TCSS2100 in mm



technical drawings
according to DIN
specifications

96 12097



Ozone Depleting Substances Policy Statement

It is the policy of **Vishay Semiconductor GmbH** to

1. Meet all present and future national and international statutory requirements.
2. Regularly and continuously improve the performance of our products, processes, distribution and operating systems with respect to their impact on the health and safety of our employees and the public, as well as their impact on the environment.

It is particular concern to control or eliminate releases of those substances into the atmosphere which are known as ozone depleting substances (ODSs).

The Montreal Protocol (1987) and its London Amendments (1990) intend to severely restrict the use of ODSs and forbid their use within the next ten years. Various national and international initiatives are pressing for an earlier ban on these substances.

Vishay Semiconductor GmbH has been able to use its policy of continuous improvements to eliminate the use of ODSs listed in the following documents.

1. Annex A, B and list of transitional substances of the Montreal Protocol and the London Amendments respectively
2. Class I and II ozone depleting substances in the Clean Air Act Amendments of 1990 by the Environmental Protection Agency (EPA) in the USA
3. Council Decision 88/540/EEC and 91/690/EEC Annex A, B and C (transitional substances) respectively.

Vishay Semiconductor GmbH can certify that our semiconductors are not manufactured with ozone depleting substances and do not contain such substances.

We reserve the right to make changes to improve technical design and may do so without further notice.

Parameters can vary in different applications. All operating parameters must be validated for each customer application by the customer. Should the buyer use Vishay Semiconductors products for any unintended or unauthorized application, the buyer shall indemnify Vishay Semiconductors against all claims, costs, damages, and expenses, arising out of, directly or indirectly, any claim of personal damage, injury or death associated with such unintended or unauthorized use.

Vishay Semiconductor GmbH, P.O.B. 3535, D-74025 Heilbronn, Germany
Telephone: 49 (0) 7131 67 2831, Fax number: 49 (0) 7131 67 2423



Notice

Specifications of the products displayed herein are subject to change without notice. Vishay Intertechnology, Inc., or anyone on its behalf, assumes no responsibility or liability for any errors or inaccuracies.

Information contained herein is intended to provide a product description only. No license, express or implied, by estoppel or otherwise, to any intellectual property rights is granted by this document. Except as provided in Vishay's terms and conditions of sale for such products, Vishay assumes no liability whatsoever, and disclaims any express or implied warranty, relating to sale and/or use of Vishay products including liability or warranties relating to fitness for a particular purpose, merchantability, or infringement of any patent, copyright, or other intellectual property right.

The products shown herein are not designed for use in medical, life-saving, or life-sustaining applications. Customers using or selling these products for use in such applications do so at their own risk and agree to fully indemnify Vishay for any damages resulting from such improper use or sale.