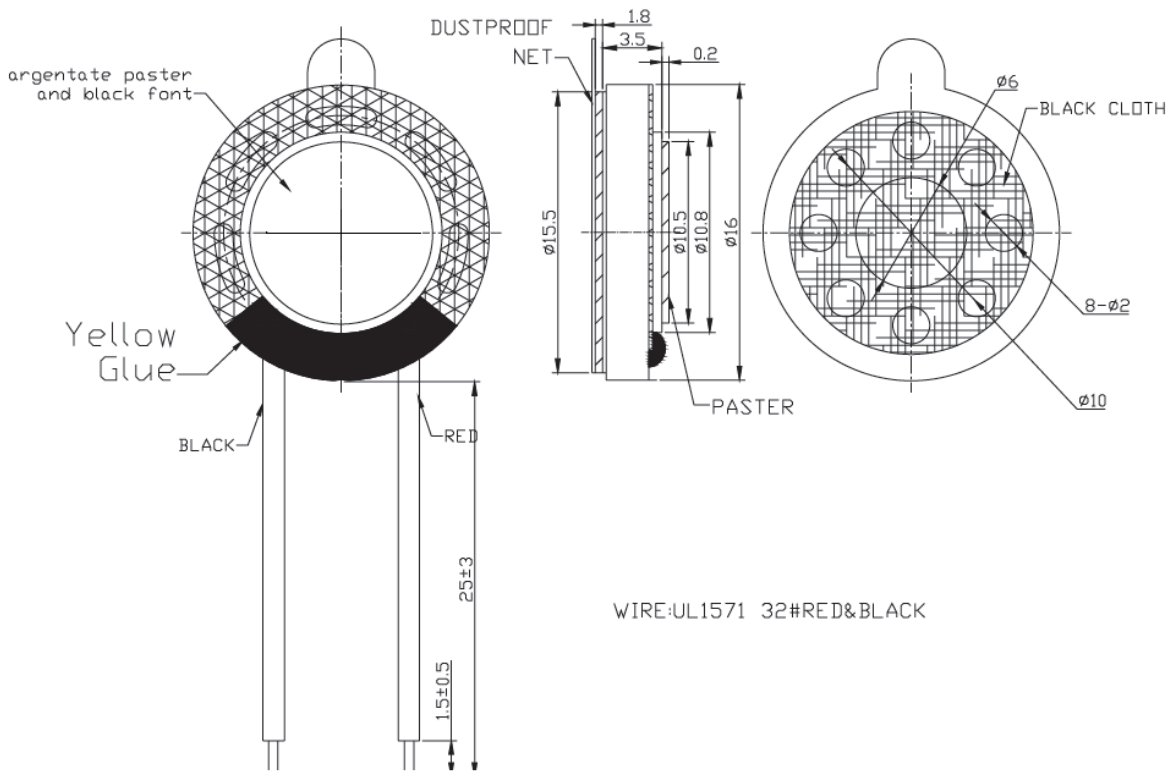


LOUDITY LD-SP-U15.5/8A



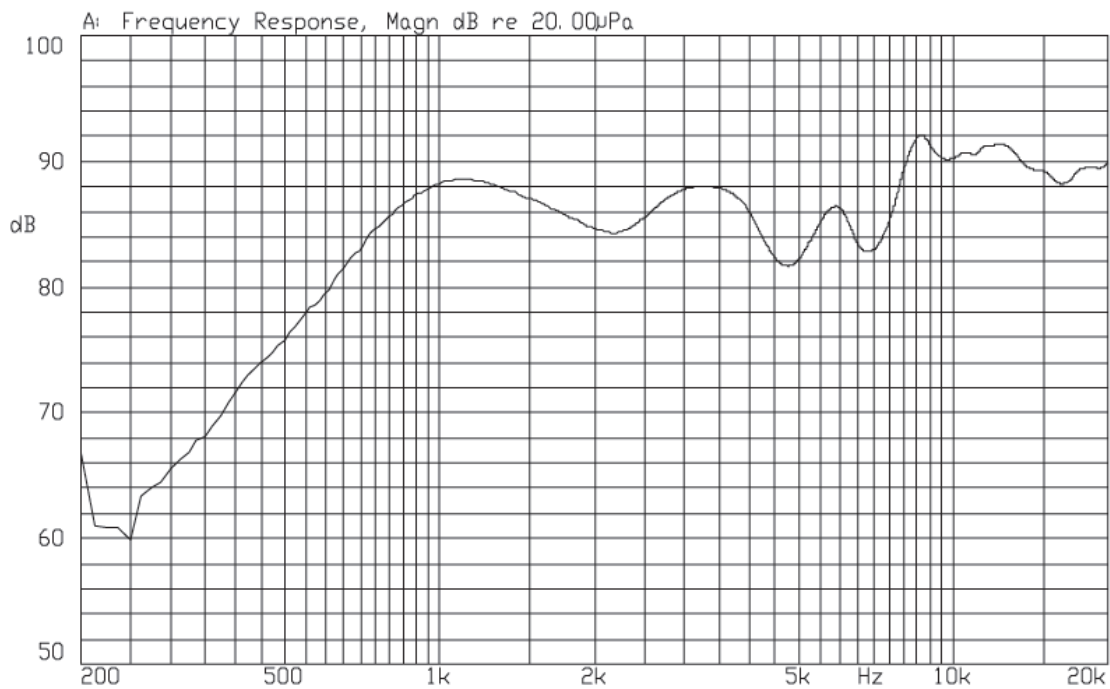
25-APR-2006 15:01:45



Curve

Frequency Response Curve

0.1m 0.1W 0.89V



25-APR-2006 15:01:45



Specification Type	Unit	Specification
Impedance(at 2KHz,1V)	Ω	8 \pm 15%
Rated(max)Power	W	1.0(1.2)
Resonance Frequency(at 1V)	Hz	900 Hz \pm 20%
Frequency Range	Hz	FO ~ 20K
Sensitivity at (AVG0.8,1.0,1.2,1.5)KHz	dB	87 \pm 3 0.1W/0.1m baffleboard(IEC)
Weight	g	1.5
Operating Temperature	$^{\circ}$ C	-20 $^{\circ}$ C ~ +60 $^{\circ}$ C
Storage Temperature	$^{\circ}$ C	-30 $^{\circ}$ C ~ +70 $^{\circ}$ C

Environmental Test High temp. Test	Keep 96 hours at +70 $^{\circ}$ C \pm 3 $^{\circ}$ C and leave 3 hours in normal temperature and then check
Low temp. Test	Keep 96 hours at -30 $^{\circ}$ C \pm 3 $^{\circ}$ C and leave 3 hours in normal temperature and then check
Vibration. Test	10~55~10Hz sin-wave sweep 15min. 5G(constant) X,Y, Z 3 direction. 2 hours each, total 6 hours.
Drop. test	Free drop a unit from 100cm height to a board of 20mm thick x,y, z 6 direction. 1 times each, total 6 times.
Load .test	Rated Power white noise is applied for 96 hours